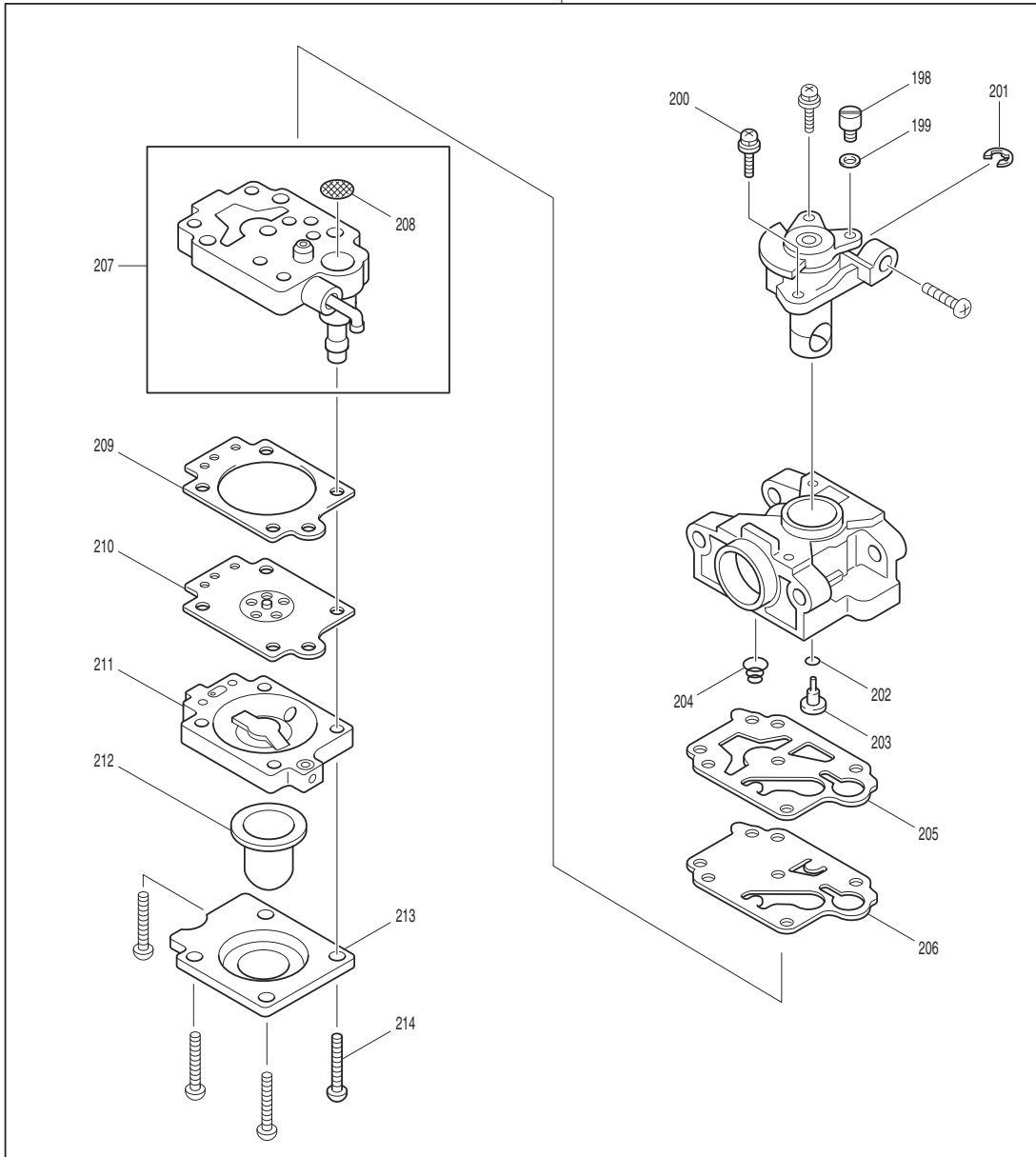


197



Item No.	Type	Sub	Part No.	Description	Qty	Unit
001			125775-1	CONTROL LEVER ASSEMBLY	1	PC.
		INC.		Item No. 2-15,221		
002			266326-2	TAPPING SCREW 4X18	3	PC.
003			183A10-9	LEVER CASE SET	1	SET
004			638705-8	LEAD UNIT	1	PC.
005			451081-1	CABLE HOLDER	1	PC.
006			452005-0	CORRUGATE TUBE	1	PC.
007			168570-6	CONTROL CABLE	1	PC.
008			451083-7	LOCK OFF LEVER	1	PC.
009			233541-3	TORSION SPRING 7	1	PC.
010			233540-5	TORSION SPRING 11	1	PC.
011			451084-5	THROTTLE LEVER	1	PC.
012			455722-1	SWITCH COVER	1	PC.
013			451082-9	SWITCH LEVER	1	PC.
014			232251-9	LEAF SPRING	1	PC.
016			266326-2	TAPPING SCREW 4X18	1	PC.
017			188659-4	GRIP SET	1	SET
019			911256-9	PAN HEAD SCREW M5X35	1	PC.
020			331862-8	HANDLE 19	1	PC.
021			168796-0	KNOB 57	1	PC.
022			318429-9	HANDLE CLAMP	1	PC.
023			318428-1	HANDLE HOLDER	1	PC.
024			233202-5	COMPRESSION SPRING 20	1	PC.
025			318427-3	PIPE HOLDER	1	PC.
026			318426-5	PIPE CLAMP	1	PC.
027			922241-7	HEX. SOCKET HEAD BOLT M5X25	2	PC.
028			195143-2	HANGER SET	1	PC.
		INC.		Item No. 29		
029			911233-1	PAN HEAD SCREW M5X20	1	PC.
030			451526-9	WIRE CLAMP	2	PC.
031			140431-2	SHAFT PIPE COMPLETE	1	PC.
032			890280-4	CAUTION LABEL	1	PC.
033			819312-8	MAKITA LOGO LABEL	1	PC.
034			911256-9	PAN HEAD SCREW M5X35	1	PC.
035			327056-1	SHAFT	1	PC.
036			922218-2	H.S.H.BOLT M5X14 WITH WR	2	PC.
037			126265-7	GEAR CASE ASSEMBLY	1	PC.
		INC.		Item No. 40-46,49-54		
040			210049-4	BALL BEARING 609ZZ	1	PC.
041			961005-4	RETAINING RING S-9	1	PC.
042			962103-7	RETAINING RING R-24	1	PC.
043			922241-7	HEX. SOCKET HEAD BOLT M5X25	1	PC.
044			265590-2	+HEX.BOLT M8X10 WITH R	1	PC.
046			187547-2	CUTTER SHAFT SET	1	PC.
049			210115-7	BALL BEARING 6001LLU	1	PC.
050			962106-1	RETAINING RING R-28	1	PC.
051			331861-0	RECEIVE WASHER	1	PC.
052			346660-7	CLAMP WASHER	1	PC.
053			168526-9	CUP	1	PC.
054			264088-6	HEX. LOCK NUT M10-17	1	PC.
055			452260-4	PROTECTOR	1	PC.
057			266575-1	HEX. HEAD BOLT M6X30	2	PC.
058			346073-2	PROTECTOR CLAMP	1	PC.
060			123499-3	CLEANER COVER ASSEMBLY	1	PC.
		INC.		Item No. 61		
061			265791-2	THUMB SCREW M4	1	PC.
062			443171-4	AIR CLEANER ELEMENT	1	PC.
063			443169-1	AIR CLEANER ELEMENT	1	PC.
064			266618-9	H.S.BUTTON HEAD BOLT M5X60	2	PC.
065			123501-2	CLEANER PLATE ASSEMBLY	1	PC.
		INC.		TAPPING SCREW BIND PT 3X10		
		INC.		Item No. 66-68,E01-E03,231,232		
066			162346-3	SEPARATOR PLATE	1	PC.

Item No.	Type	Sub	Part No.	Description	Qty	Unit
067			213540-1	O RING 15	1	PC.
068			424316-3	CHECK VALVE	2	PC.
069			422099-9	PIPE	1	PC.
070			325665-0	JOINT PIPE	1	PC.
071			442153-3	CARBURETOR GASKET	1	PC.
072			266787-6	H.S.H.BOLT M5X18 WITH WR	2	PC.
073			451825-9	CLAMP	1	PC.
074			451729-5	INSULATOR	1	PC.
075			213547-7	O-RING 12	1	PC.
076			422109-2	BREATHER PIPE	1	PC.
077			345918-1	HOSE CLAMP	1	PC.
078			318745-9	ROCKER COVER OUTER	1	PC.
079			922222-1	HEX. SOCKET HEAD BOLT M5X16	4	PC.
080			453860-3	ROCKER COVER INNER	1	PC.
081			162304-9	ROCKER COVER GASKET	1	PC.
082			424302-4	PLUG CAP	1	PC.
083			324891-8	PLUG CAP SPRING	1	PC.
084			168534-0	SPARK PLUG	1	PC.
085			125554-7	ROCKER ARM ASSEMBLY	2	PC.
086			256200-2	PIN 5	1	PC.
087			256865-0	ROD 2.5	2	PC.
088			325668-4	SPRING RETAINER	2	PC.
089			135842-4	CLUTCH CASE ASSEMBLY	1	PC.
		INC.	451735-0	CLUTCH CASE	1	PC.
		INC.		Item No. 91-95		
090			922228-9	H.S.H.BOLT M5X18 WITH WR	3	PC.
091			450569-8	SPACER	1	PC.
092			961052-5	RETAINING RING S-12	1	PC.
093			210111-5	BALL BEARING 6201LLU	1	PC.
094			962151-6	RETAINING RING R-32	1	PC.
095			161588-6	CLUTCH DRUM COMPLETE	1	PC.
096			266864-4	SHOULDER HEX. BOLT M6X25	2	PC.
097			267817-6	WASHER 8	2	PC.
098			126135-0	CLUTCH ASSEMBLY	1	PC.
		INC.		Item No. 99,100		
099			161332-1	CLUTCH SHOE	2	PC.
100			231881-3	TENSION SPRING 7	1	PC.
101			267812-6	WASHER 6	2	PC.
102			264039-9	CONED DISK SPRING HEXNUT M8-13	1	PC.
103			318569-3	FLYWHEEL	1	PC.
104			444021-6	TUBE	1	PC.
105			266602-4	HEX. SOCKET HEAD BOLT M4X20	2	PC.
106			452049-0	SPACER	2	PC.
107			168559-4	IGNITION COIL	1	PC.
108			268238-5	PIN 5	1	PC.
109			125552-1	CAM GEAR ASSEMBLY	1	PC.
110			313169-4	CAM LIFTER	2	PC.
112			268239-3	PIN 4	1	PC.
113			162274-2	CAM GEAR COVER GASKET	1	PC.
114			318443-5	CAM GEAR COVER	1	PC.
115			922222-1	HEX. SOCKET HEAD BOLT M5X16	3	PC.
116			135478-9	CYLINDER BLOCK ASSEMBLY	1	PC.
		INC.		Item No. 88,117,118		
117			922222-1	HEX. SOCKET HEAD BOLT M5X16	6	PC.
118			424201-0	CHECK VALVE	2	PC.
119			346331-6	MUFFLER GASKET	1	PC.
120			168554-4	EXHAUST MUFFLER	1	PC.
121			266440-4	HEX SOCKET HEAD BOLT M5X40	2	PC.
122			168483-1	PULLEY	1	PC.
123			451731-8	MUFFLER PLATE	1	PC.
124			922218-2	H.S.H.BOLT M5X14 WITH WR	1	PC.
125			638707-4	LEAD UNIT	1	PC.
126			638708-2	LEAD UNIT	1	PC.

Item No.	Type	Sub	Part No.	Description	Qty	Unit
128			922218-2	H.S.H.BOLT M5X14 WITH WR	1	PC.
129			453266-5	CYLINDER COVER	1	PC.
130			922218-2	H.S.H.BOLT M5X14 WITH WR	1	PC.
131			424082-2	BUFFER RUBBER	1	PC.
132			922211-6	HEX. SOCKET HEAD BOLT M5X12	1	PC.
133			922226-3	HEX. SOCKET HEAD BOLT M5X18	2	PC.
134			318249-1	PIPE HOLDER	1	PC.
135			318250-6	PIPE HOLDER	1	PC.
136			424083-0	BUFFER RUBBER	1	PC.
137			424200-2	SPACER	2	PC.
138			234108-0	COMPRESSION SPRING 9	2	PC.
140			326366-3	EXHAUST VALVE	1	PC.
143			326367-1	INTAKE VALVE	1	PC.
144			195145-8	PISTON RING SET	1	PC.
147			318441-9	PISTON	1	PC.
148			254040-2	WOODRUFF KEY 3	1	PC.
149			123774-7	CRANK SHAFT ASSEMBLY	1	PC.
		INC.		Item No. 150-152		
150			213769-9	OIL SEAL 10	1	PC.
151			267400-9	FLAT WASHER 23	1	PC.
152			213089-1	OIL SEAL 12	1	PC.
153			257781-9	PISTON PIN	1	PC.
154			233976-8	CLIP	2	PC.
155			162345-5	OIL CASE GASKET	1	PC.
156			346083-9	LEAD VALVE	1	PC.
157			318910-0	RETAINER PLATE	1	PC.
158			922112-8	HEX. SOCKET HEAD BOLT M4X10	1	PC.
159			318588-9	OIL CASE	1	PC.
160			922222-1	HEX. SOCKET HEAD BOLT M5X16	4	PC.
161			424344-8	DAMPER	1	PC.
162			346305-7	GASKET	1	PC.
163			266611-3	HEX BOLT M6X8	1	PC.
164			213548-5	O-RING 20	1	PC.
165			325665-0	JOINT PIPE	1	PC.
166			282020-8	HOSE CLAMP	1	PC.
167			325666-8	OIL WEIGHT	1	PC.
168			125805-8	OIL TUBE ASSEMBLY	1	PC.
		INC.		Item No. 166,167		
		INC.				
169			452047-4	OIL CAP	1	PC.
170			424343-0	GASKET	1	PC.
171			452048-2	OIL PIPE	1	PC.
172			922218-2	H.S.H.BOLT M5X14 WITH WR	2	PC.
173			125728-0	FUEL TANK CAP ASSEMBLY	1	PC.
175			168775-8	TUBE COMPLETE	1	PC.
176	1		282020-8	HOSE CLAMP	1	PC.
	2		326650-6	SPACER	1	PC.
177			163518-3	GASOLINE FILTER	1	PC.
178			123419-7	FUEL TANK ASSEMBLY	1	PC.
		INC.		Item No. 173,175-177		
179			424080-6	BUFFER RUBBER	2	PC.
180			424081-4	BUFFER RUBBER	1	PC.
181			451737-6	TANK GUARD	1	PC.
182			922218-2	H.S.H.BOLT M5X14 WITH WR	4	PC.
183			195308-6	RECOIL STARTER SET	1	PC.
		INC.		Item No. 122,184,185,187-193		
184			424319-7	STARTER KNOB	1	PC.
185			424359-5	DAMPER	1	PC.
187			266585-8	TAPPING SCREW 5X12	1	PC.
188			325923-4	SWING ARM	1	PC.
189			451938-6	COLLAR	1	PC.
190			451937-8	REEL	1	PC.
191			232258-5	SPIRAL SPRING	1	PC.

Item No.	Type	Sub	Part No.	Description	Qty	Unit
192			444023-2	STARTER ROPE	1	PC.
193			451733-4	STARTER CASE	1	PC.
194			922223-9	H.S.H.BOLT M5X16 WITH WR	4	PC.
196			816565-0	MAKITA LOGO LABEL	1	PC.
197			168762-7	CARBURETOR	1	PC.
		INC.		Item No. 198-207,209-214		
198			325922-6	SWIVEL	1	PC.
199			413140-9	WASHER	1	PC.
200			WJ00096364	SCREW M3X8 WITH WASHER	2	PC.
201			257964-1	STOP RING E-3	1	PC.
202			213538-8	O RING 2	1	PC.
203			325985-2	JET	1	PC.
204			234183-6	CONICAL COMPRESSION SPRING 5-9	1	PC.
205			442155-9	PUMP GASKET	1	PC.
206			WJ00009599	PUMP DIAPHRAGM	1	PC.
207			141737-1	PUMP BODY	1	PC.
		INC.		Item No. 208		
208			352021-1	INLET SCREEN	1	PC.
209			442154-1	METERING DIAPHRAGM GASKET	1	PC.
210			168620-7	METERING DIAPHRAGM	1	PC.
211			140438-8	AIR PURGE BODY	1	PC.
212			424314-7	PRIMER PUMP	1	PC.
213			346270-0	PRIMER PUMP COVER	1	PC.
214			266582-4	TAPPING SCREW 3X24	4	PC.
221			638706-6	LEAD UNIT	1	PC.
222			135398-7	PROTECTIVE GUARD EXTENSION ASSY	1	PC.
		INC.		Item No. 223,224		
223			266326-2	TAPPING SCREW 4X18	1	PC.
224			346074-0	CUTTER	1	PC.
225			819765-1	EM2650UH MODEL NO.LABEL	1	PC.
226			819432-8	CAUTION TAG	1	PC.
227			810455-9	CAUTION PLATE	1	PC.
228			800F73-7	INDICATION LABEL	1	PC.
229			941151-9	FLAT WASHER 6	1	PC.
230			443170-6	FELT	1	PC.
231			352020-3	SEPARATOR MESH	1	PC.
232			453865-3	SEPARATOR CASE	1	PC.
233			453862-9	OIL CASE PLATE	1	PC.
235			135668-4	SHORT BLOCK ASS'Y 25.4CC	1	PC.
		INC.		Item No. 85-88,108-110,112-118,137,138,140,143-147,149-		
E01			266427-6	TAPPING SCREW 4X12	1	PC.
E02			452219-1	CHOKE PLATE	1	PC.
E03			452220-6	CHOKE LEVER	1	PC.
E05			802K75-9	CAUTION LABEL	1	PC.
<u>ACCESSORIES</u>			- Visit www.makita.ca for more accessories information -			
A01			123143-2	SHOULDER HARNESS	1	PC.
		INC.	168578-0	HOOK	1	PC.
A03			783013-3	BOX DRIVER 16-17	1	PC.
A04			783232-1	HEX. WRENCH 5	1	PC.
A05			783223-2	HEX. WRENCH 4	1	PC.
A06			831304-7	ACCESSORY BAG	1	PC.
A07			456924-2	TOOL COVER	1	PC.
A09			B-14118	9" BRUSHCUTTER STAR BLADE 4T 1"	1	PC.
A10			242072-1	OIL BOTTLE	1	PC.